

SLT 290 R290



FROZEN STONE



Self-contained ice maker - Pebble system
Daily production up to 155 kg

● Position n°



● Application fields

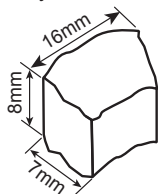
| | | | |
|------------|------------|-------------|------------|
| Hotel | ●●●●●●●●●● | Fish market | ●●●●●●●●●● |
| Restaurant | ●●●●●●●●●● | Supermarket | ●●●●●●●●●● |
| Fast food | ●●●●●●●●●● | SPA | ●●●●●●●●●● |
| Bar | ●●●●●●●●●● | Medical | ●●●●●●●●●● |
| Disco | ●●●●●●●●●● | Industry | ●●●●●●●●●● |

● Features & Plus

- Compact and longlasting nuggets
- Low consumption (1 liter water / 1 kg ice) - aircooled vers.
- Electromechanical functioning
- External structure AISI 304 Scotch Brite
- Evaporator AISI 304, auger AISI 303 made
- Air Cooling and Water Cooling systems
- Standard and special voltages
- Insulated retractable door
- ON-OFF switch
- Dust proof water basin
- Easy cleaning thanks to rounded surfaces
- External protective filter, removable, easy to clean
- Internal bin insulation HCFC free
- Conformity to RoHS directive
- Automatic water charge
- Model in Tropical Class + 43 °C

● Available pebble size

Drawing for reference only



● Prod. 24h

| Air temp. | Water temp. | Prod. 24h kg |
|-----------|-------------|--------------|
| 10° C | 7° C | 155 |
| 21° C | 15° C | 145 |
| 32° C | 21° C | 120 |

**2 Years
Warranty**

subject to limitations

● Certifications available for this model



www.ntfice.it
info@ntfice.it



ntfice.it



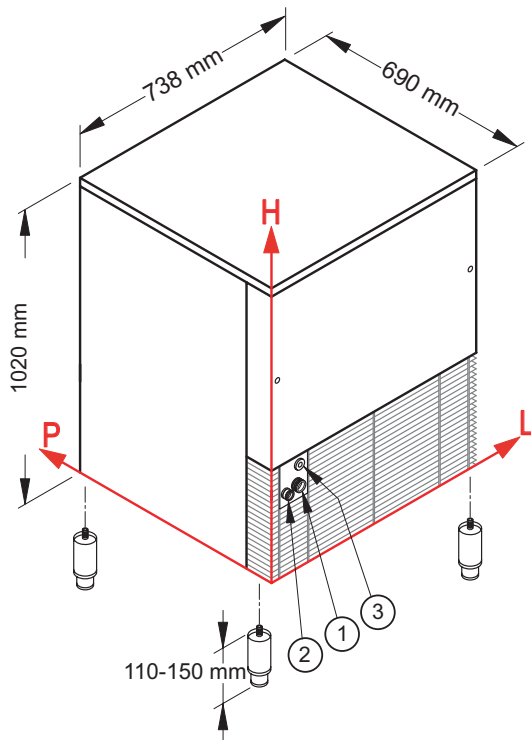
SLT 290 R290



FROZEN STONE



Self-contained ice maker - Pebble system
Daily production up to 155 kg



• Connections

All measures are referred to the rear bottom-left corner (L-H-Ø)

- ① Water inlet:
104 mm - 247 mm - 3/4"
- ② Water outlet:
53 mm - 240 mm - 24 mm
- ③ Electrical connection:
92 mm - 319 mm

• Working conditions




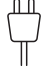
- Location: Indoor

| | Min | Max |
|----------------------|---------------|---------------|
| Ambient temperature | +10° C | +43° C |
| Water temperature | +3° C | +32° C |
| Voltage | -10% | +10% |
| Water inlet pressure | 1bar (14 psi) | 6bar (84 psi) |

• Technical information

| | |
|----------------------------|--|
| Production in 24h | 145 kg |
| Store capacity, up to | 50 kg |
| Cooling system | A - W |
| Approximate pebble size | 8 x 16 x 7 |
| Refrigerant | R290 |
| Standard voltage | 220-240 V ~ 50 Hz |
| Electrical consumption | 720 W |
| Fuse | 10 A |
| Water consumption | A: 1 l/kg W: 9 l/kg |
| Sizes (L-P-H mm) | 738 - 690 - 1020 |
| Sizes with pack (L-P-H mm) | 780 - 735 - 1185 |
| Net weight | 94 kg |
| Gross weight | 105 kg |
| Finish | AISI 304 stainless steel, scotch brite |

All the technical information must be considered at the following conditions:

| | | | |
|---|---|---|---|
|  |  |  |  |
| Sizes without feet | Ambient temperature +21° C | Water temperature +15° C | Electrical consumption at +43° C (standard voltage) |

Models and specifications are subject to change without notice
Rev. 00 - Issued March 2018

